



FLAT ROOFLIGHT

FLAT ROOFLIGHT INSTALLATION MANUAL



1

Lift external composite kerb onto the flat roof and fix together at the corners with screws.

2

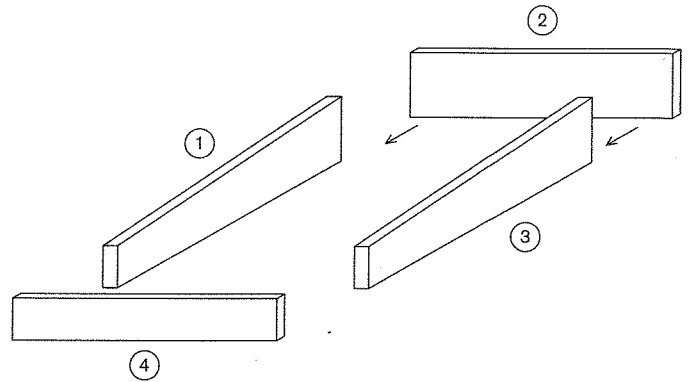
Once the external kerbs have been secured to the flat roof cover the kerbs with weatherproof membrane.

3

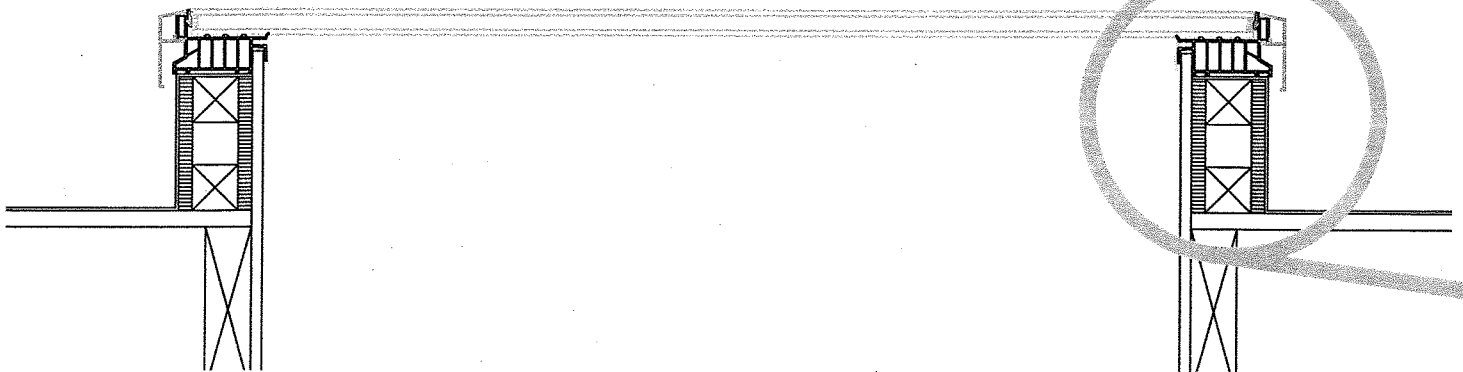
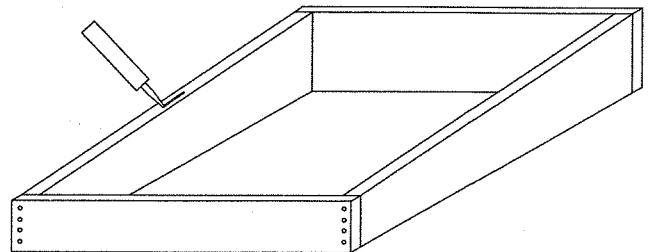
Before lifting the glazed rooflight onto the kerb structure, run a silicone seal on top of the kerb membrane.

4

Lift the glazed rooflight onto the top of the kerb, keeping an equal spacing around the perimeter.



Silicone Seal



5

Once in place, screw through the rooflight outer frame into the kerb at 250mm centres. Make sure fixings are all secure.

6

After roof has been permanently secured, fix internal plasterboard into U channel slot on the internal perimeter of the rooflight.

7

Clip on the interior trims - fix the two tight trims first and the other adjacent trims between the fitted trims.

8

Fix the exterior trims around the perimeter of the rooflight using a rubber hammer if necessary.

